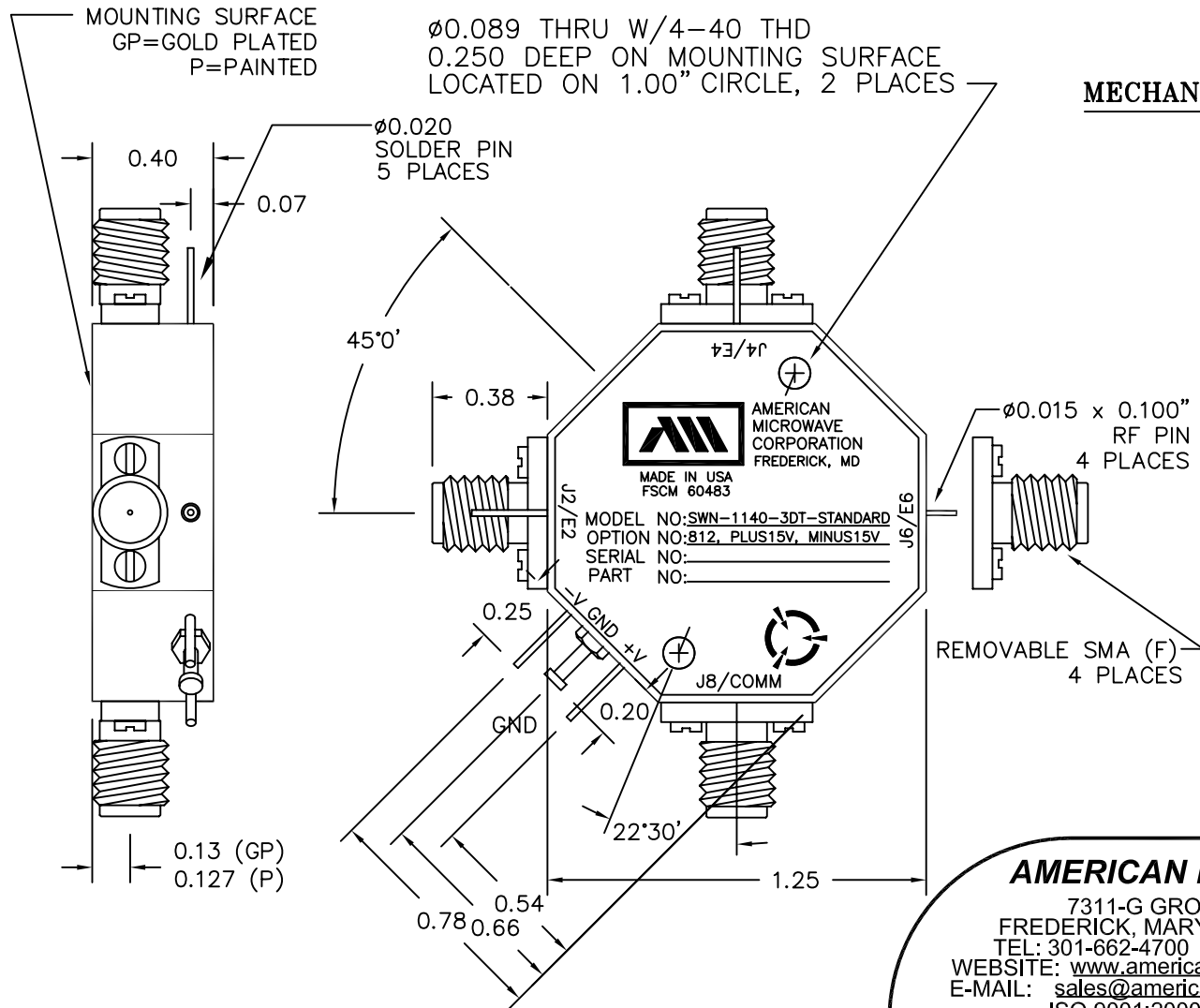


DESCRIPTION

AMC MODEL SWN-1140-3DT-STANDARD OPTION: 812, PLUS15V, MINUS15V IS A SINGLE POLE THREE THROW ABSORPTIVE/NON-REFLECTIVE SWITCH DESIGNED TO OPERATE BETWEEN THE 8 TO 12 GHz FREQUENCY RANGE WITH AN INSERTION LOSS OF 3.0dB MAXIMUM, AN ISOLATION OF 60dB MINIMUM AND A VSWR OF 2.0:1.

REVISIONS				
ZONE	REV.	DESCRIPTION	DATE	APPROVED
-	-	ORIGINAL RELEASE JOB# 608142	9/18/06	



MECHANICAL OUTLINE

AMERICAN MICROWAVE CORPORATION

7311-G GROVE ROAD
 FREDERICK, MARYLAND 21704 USA
 TEL: 301-662-4700 FAX: 301-662-4938
 WEBSITE: www.americanmicrowavecorp.com
 E-MAIL: sales@americanmicrowavecorp.com
 ISO 9001:2000 CERTIFIED



ALL DIMENSIONS ARE IN INCHES
 TOLERANCES:
 X.XX ±0.020
 X.XXX ±0.010

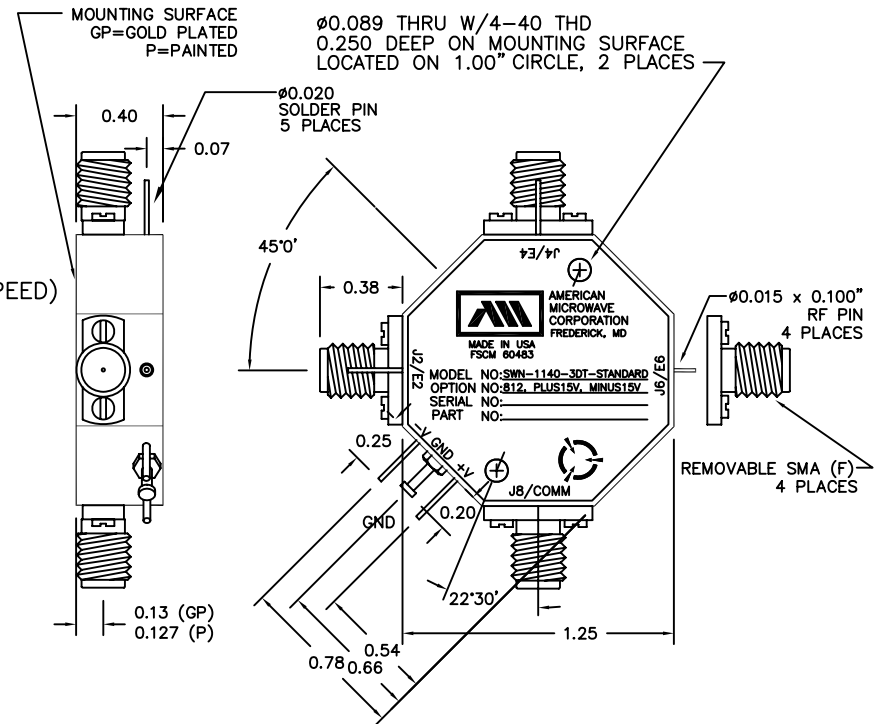
APPROVALS		DATE	TITLE		
DRAWN	<i>PRB</i>	9/18/06	MECHANICAL OUTLINE SWN-1140-3DT-STANDARD OPTION: 812, PLUS15V, MINUS15V		
CHECKED	<i>RA</i>	09/19/06	8 TO 12 GHz, SINGLE POLE THREE THROW ABSORPTIVE SWITCH		
ISSUED			SIZE	FSCM NO.	DWG NO.
			A	60483	100-7099-000
			SCALE	SHEET	
			N:S	2 OF 4	

DESCRIPTION

AMC MODEL SWN-1140-3DT-STANDARD OPTION: 812, PLUS15V, MINUS15V IS A SINGLE POLE THREE THROW ABSORPTIVE/NON-REFLECTIVE SWITCH DESIGNED TO OPERATE BETWEEN THE 8 TO 12 GHz FREQUENCY RANGE WITH AN INSERTION LOSS OF 3.0dB MAXIMUM, AN ISOLATION OF 60dB MINIMUM AND A VSWR OF 2.0:1.

SPECIFICATIONS

- FREQUENCY RANGE: 8 TO 12 GHz
- INSERTION LOSS: 3.0 dB MAXIMUM
- ISOLATION: 70 dB MINIMUM
- VSWR: 2.0:1
- RISE TIME: 10 nSec TYPICAL, 15 nSec MAXIMUM
- FALL TIME: 10 nSec TYPICAL, 15 nSec MAXIMUM
- DELAY ON: 75 nSec TYPICAL, 100 nSec MAXIMUM
- DELAY OFF: 75 nSec TYPICAL, 100 nSec MAXIMUM
- POWER INPUT: (CW)+20 dBm (STANDARD), +10 dBm (HIGH SPEED)
- SURVIVAL POWER: 1 WATT CW, 10 WATTS PEAK 1 uSec
- CONTROL: TTL LOGIC "0" ON "1" OFF
- POWER SUPPLY: +15V @ 150 mA MAXIMUM
-15V @ 100 mA MAXIMUM



ENVIRONMENTAL RATINGS

- **TEMPERATURE:** -20°C TO +70°C (OPERATING)
-40°C TO +85°C (STORAGE)
- **HUMIDITY:** MIL-STD-202F, METHOD 103B COND. B
- **SHOCK:** MIL-STD-202F, METHOD 213B COND. B
- **VIBRATION:** MIL-STD-202F, METHOD 204D COND. B
- **ALTITUDE:** MIL-STD-202F, METHOD 105C COND. B
- **TEMPERATURE CYCLE:** MIL-STD-202F, METHOD 107D COND. A

NOTE: SPECIFICATIONS WILL VARY OVER OPERATING TEMPERATURE
NOTE: THE ABOVE SPECIFICATIONS ARE SUBJECT TO CHANGE OR REVISION

ALL DIMENSIONS ARE IN INCHES
TOLERANCES:
X.XX ±0.020
X.XXX ±0.010

AMERICAN MICROWAVE CORPORATION

7311-G GROVE ROAD
FREDERICK, MARYLAND 21704 USA
TEL: 301-662-4700 FAX: 301-662-4938
WEBSITE: www.americanmicrowavecorp.com
E-MAIL: sales@americanmicrowavecorp.com
ISO 9001:2000 CERTIFIED



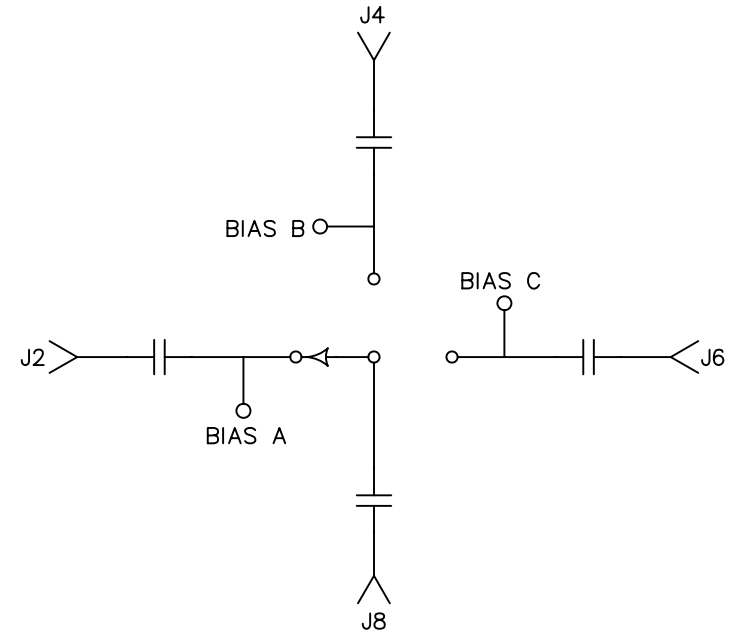
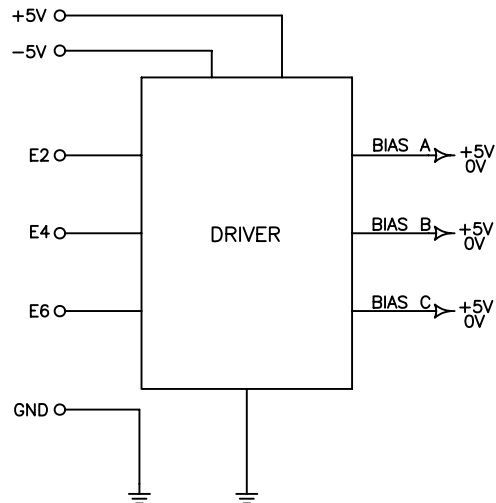
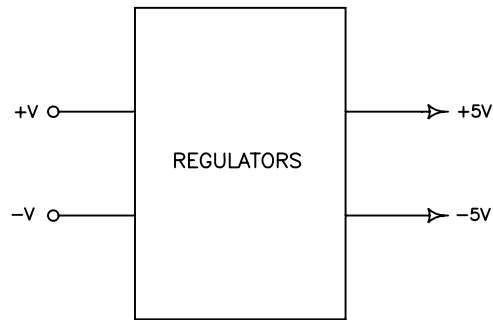
APPROVALS		DATE	TITLE				REV.
DRAWN <i>PRB</i>		9/18/06	PRODUCT FEATURE SWN-1140-3DT-STANDARD OPTION: 812, PLUS15V, MINUS15V 8 TO 12 GHz, SINGLE POLE THREE THROW ABSORPTIVE SWITCH				-
CHECKED <i>RA</i>		09/19/06	SIZE	FSCM NO.	DWG NO.		
ISSUED			A	60483	100-7099-000		
			SCALE	N:S		SHEET 1 OF 4	

DESCRIPTION

AMC MODEL SWN-1140-3DT-STANDARD OPTION: 812, PLUS15V, MINUS15V IS A SINGLE POLE THREE THROW ABSORPTIVE/NON-REFLECTIVE SWITCH DESIGNED TO OPERATE BETWEEN THE 8 TO 12 GHz FREQUENCY RANGE WITH AN INSERTION LOSS OF 3.0dB MAXIMUM, AN ISOLATION OF 60dB MINIMUM AND A VSWR OF 2.0:1.

REVISIONS				
ZONE	REV.	DESCRIPTION	DATE	APPROVED
	-	ORIGINAL RELEASE JOB# 606142 SYRACUSE RESEARCH CORPORATION, NY	9/18/06	

FUNCTIONAL BLOCK DIAGRAM



CONFIDENTIAL AND PROPRIETARY

AMERICAN MICROWAVE CORPORATION

7311-G GROVE ROAD
 FREDERICK, MARYLAND 21704 USA
 TEL: 301-662-4700 FAX: 301-662-4938
 WEBSITE: www.americanmicrowavecorp.com
 E-MAIL: sales@americanmicrowavecorp.com
 ISO 9001:2000 CERTIFIED



APPROVALS		DATE	TITLE			
DRAWN	<i>PRB</i>	9/18/06	FUNCTIONAL BLOCK DIAGRAM SWN-1140-3DT-STANDARD OPTION: 812, PLUS15V, MINUS15V 8 TO 12 GHz, SINGLE POLE THREE THROW ABSORPTIVE SWITCH			
CHECKED	<i>RA</i>	09/19/06	SIZE	FSCM NO.	DWG NO.	REV.
ISSUED			A	60483	100-7099-000	-
			SCALE	N:S		SHEET 3 OF 4